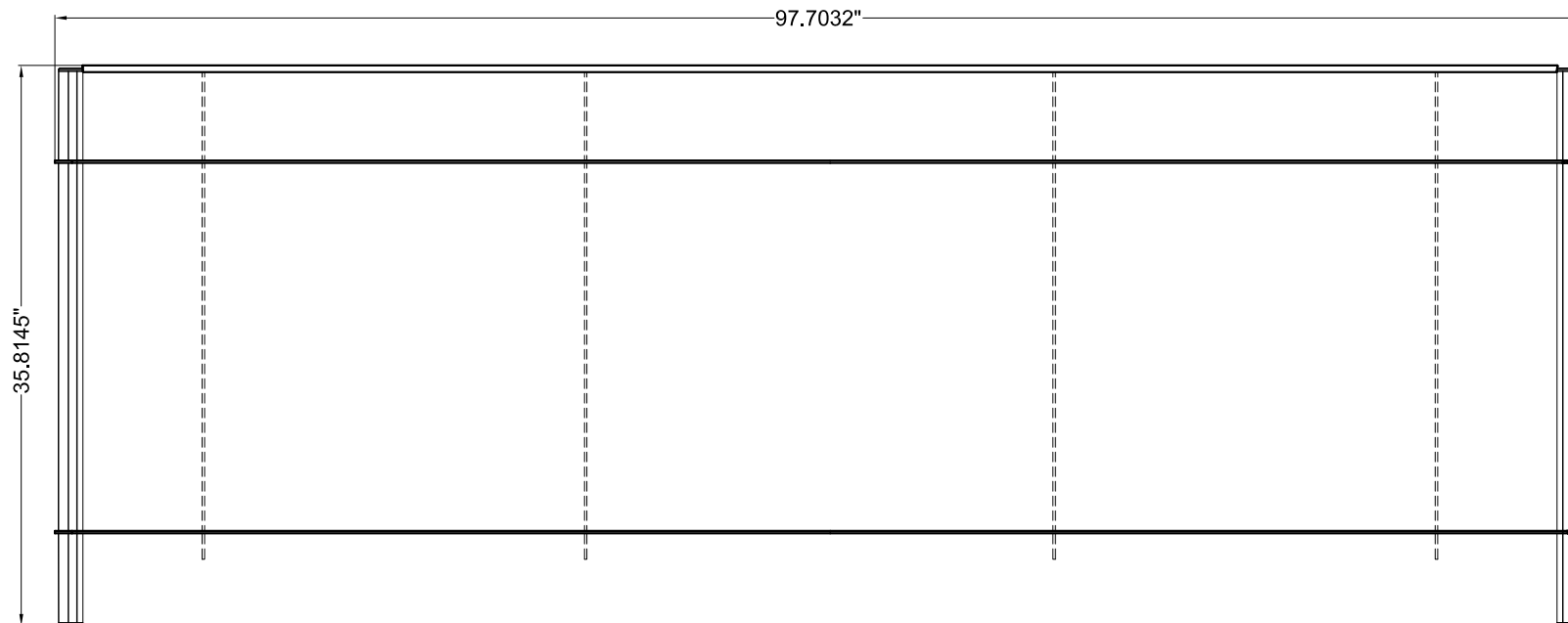
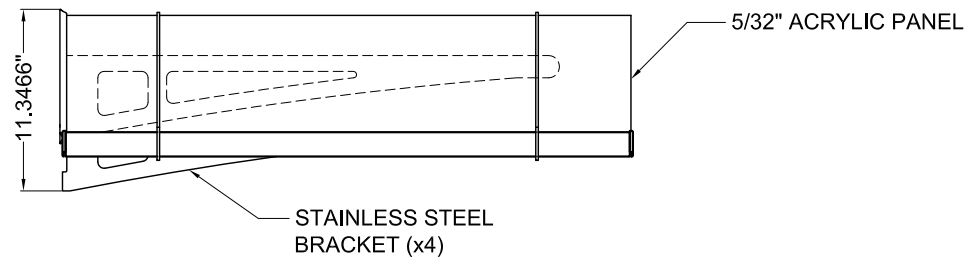


REAR ELEVATION

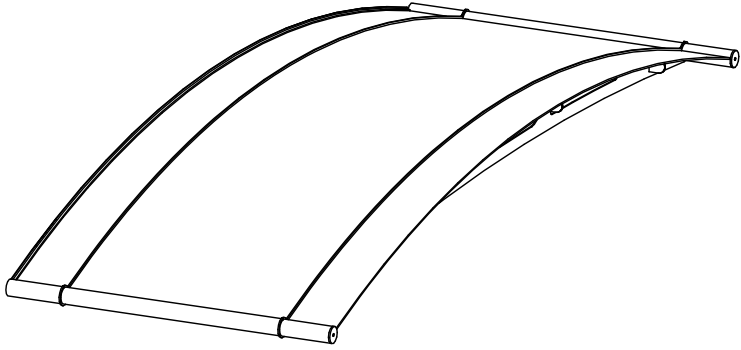


TOP ELEVATION

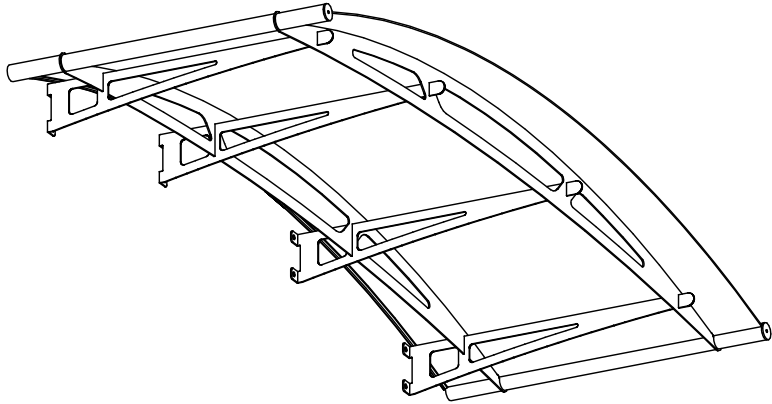


PROFILE ELEVATION

LIGHTLINE CANOPY		<b>ARCH 2500</b>
SKU #:	9021-XXX	
DATE:	08/21/09	<b>feeney</b>
PAGE:	1 of 2	
REV:		
BY:	BWA	2603 Union Street Oakland, CA 94607 P: (800) 888-2418 F: (510) 893-9484 www.lightlinecanopies.com
CHK:		



ISOMETRIC VIEW - TOP



ISOMETRIC VIEW - BOTTOM

LIGHTLINE CANOPY	<b>ARCH 2500</b>
SKU #:	9021-XXX
DATE:	08/21/09
PAGE:	2 of 2
REV:	
BY:	BWA
CHK:	
<b>feeney</b> <sup>®</sup>	
<small>2603 Union Street Oakland, CA 94607 P: (800) 888-2418 F: (510) 893-9484 www.lightlinecanopies.com</small>	