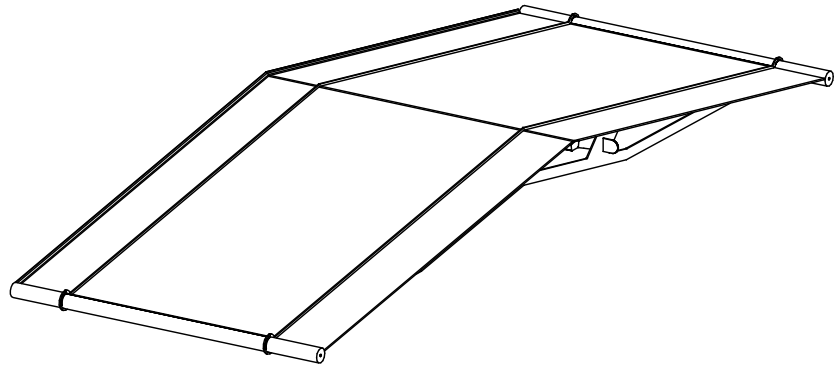
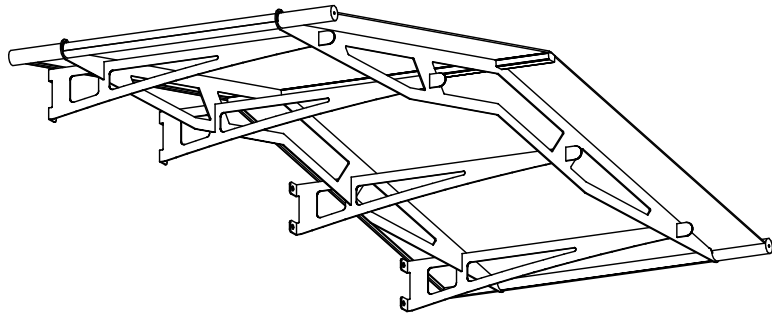


LIGHTLINE CANOPY		GABLE 2500	
SKU #:		9020-XXX	
DATE:	09/02/09		
PAGE:	1 of 2		
REV:			
BY:	BWA		
CHK:		2603 Union Street Oakland, CA 94607 P: (800) 888-2418 F: (510) 893-9484 www.lightlinecanopies.com	



ISOMETRIC VIEW - TOP



ISOMETRIC VIEW - BOTTOM

LIGHTLINE CANOPY	GABLE 2500
SKU #:	9020-XXX
DATE:	09/02/09
PAGE:	2 of 2
REV:	
BY:	BWA
CHK:	
feeney [®]	
<small>2603 Union Street Oakland, CA 94607 P: (800) 888-2418 F: (510) 893-9484 www.lightlinecanopies.com</small>	