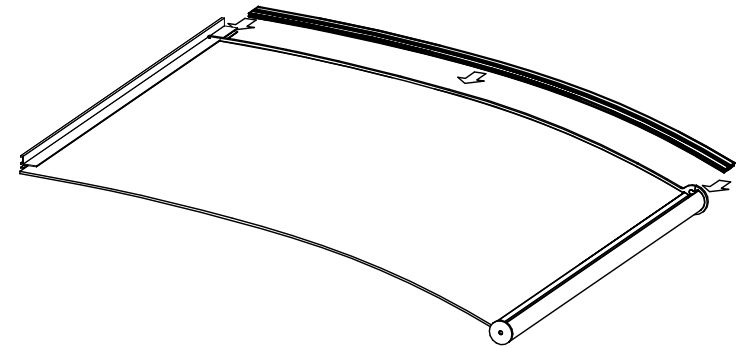
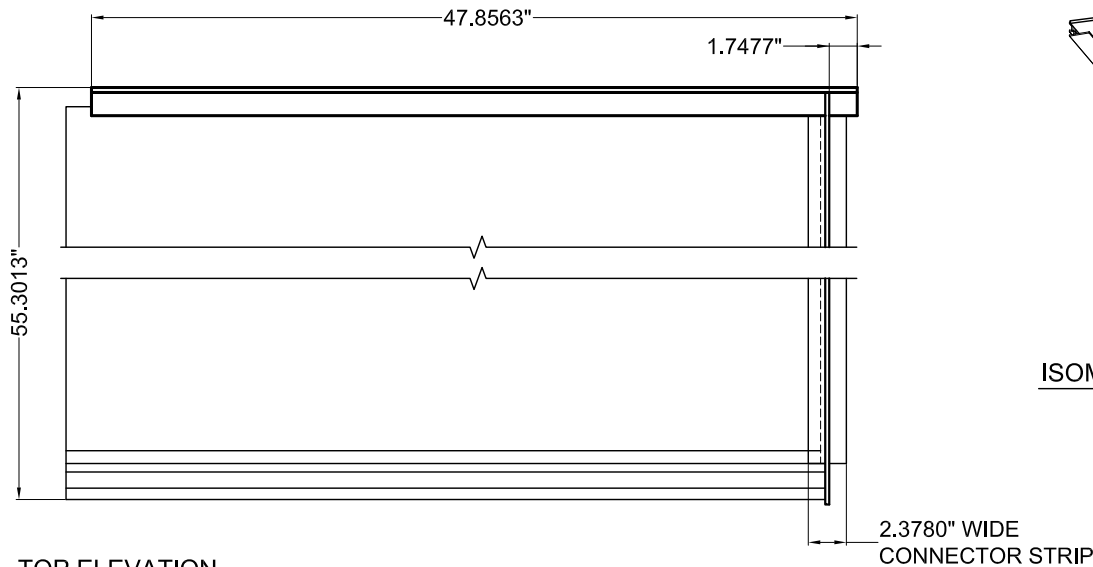


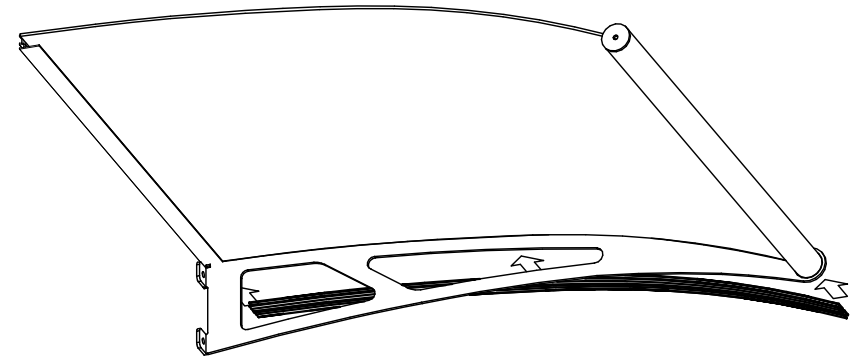
REAR ELEVATION



ISOMETRIC VIEW - TOP

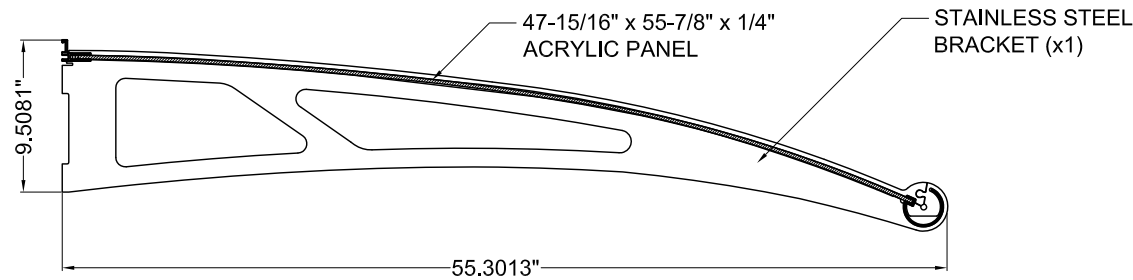


TOP ELEVATION



ISOMETRIC VIEW - BOTTOM

NOTE: EXTENSION PACK MUST BE USED WITH LIGHTLINE CANOPY EXTENDABLE XL STARTER PACK



PROFILE ELEVATION

LIGHTLINE CANOPY		EXTENDABLE XL
EXTENSION PACK		
SKU #:		9017-XXX
DATE:	10/29/09	feeney [®]
PAGE:	1 of 1	
REV:		
BY:	BWA	
CHK:		2603 Union Street Oakland, CA 94607 P: (800) 888-2418 F: (510) 893-9484 www.lightlinecanopies.com